

Clarite®



LED WORKLIGHT(230V)

MODEL NO: SMDT2700

PART NO: 4003641

ASSEMBLY & USER INSTRUCTIONS

UK
CA | CE



ORIGINAL INSTRUCTIONS

GC-0125

INTRODUCTION

Thank you for purchasing this CLARKE portable LED worklight which can be used either indoors or outdoors. Before attempting to use this product, please read this manual thoroughly and follow the instructions carefully. In doing so you will ensure the safety of yourself and that of others around you, and you can look forward to your purchase giving you long and satisfactory service.

TECHNICAL INFORMATION

Model	SMDT2700
Dimensions (L x W x H)	780 x 780 x 950 mm (min) 780 x 780 x 1770 mm (max)
Weight	2.85 kg
Tilt adjustment	-90 to +90 degrees
Light Source	SMD LED array
Operating Temperature	-10 to + 45°C
Input power	30 W
Light Output (luminous flux)	2700 @ 1m (lumens)
Fuse Rating	3 A
Power Supply	230V 50 Hz
Insulation Class	Class 1
IP Rating	IP65
Energy Efficiency Class	F
Efficiency	90 Lm/W
Colour Temperature	6500 K
Weighted Energy Consumption	30 kWh/1000 h
Life expectancy of LED	30,000 hours

SAFETY PRECAUTIONS

1. This worklight must not be immersed in water.
2. **DO NOT** look directly into the lamp when switched on as this can damage the eyes.
3. If used with an extension cable always ensure that the extension cable is fully unwound.
4. **DO NOT** use this worklight if it has a broken lens, casing or damaged cable.
5. **ALWAYS** unplug the worklight before moving it or performing maintenance. **DO NOT** touch the lamp when your hands are wet.
6. **DO NOT** attempt to disassemble or repair the worklight.
7. **DO NOT** leave the worklight unattended when switched on. Always unplug the worklight when it is not in use.
8. **NEVER** unplug by holding the cable. Unplug by holding the plug.
9. **NEVER** use the worklight if the cable or plug are damaged.
10. When assembling the tripod, ensure that the ground is level and firm.
11. Take extra care not to push or knock the tripod over when fully extended.
12. Ensure the lamp is a safe distance from other objects in the working space.

GUARANTEE

This product is guaranteed against faulty manufacture for a period of 12 months from the date of purchase. Please keep your receipt which will be required as proof of purchase.

This guarantee is invalid if the product is found to have been abused or tampered with in any way, or not used for the purpose for which it was intended.

Faulty goods should be returned to their place of purchase, no product can be returned to us without prior permission. This guarantee does not effect your statutory rights.

ENVIRONMENTAL RECYCLING POLICY



Through purchase of this product, the customer is taking on the obligation to deal with WEEE in accordance with the WEEE regulations in relation to the treatment, recycling, recovery & environmentally sound disposal of the WEEE.

This means that this product must not be disposed of with general household waste. It must be disposed of according to the laws governing Waste Electrical and Electronic Equipment (WEEE) at a recognised disposal facility.

ELECTRICAL CONNECTIONS




WARNING: READ THESE ELECTRICAL SAFETY INSTRUCTIONS THOROUGHLY BEFORE CONNECTING THE PRODUCT TO THE MAINS SUPPLY.

Before switching the product on, make sure that the voltage of your electricity supply is suitable. This product is designed to operate on 230VAC 50Hz. Connecting it to any other power source may cause damage.

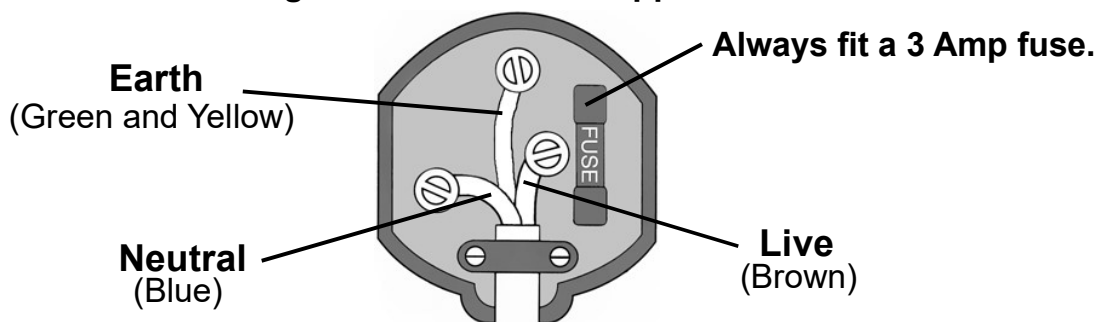
This product may be fitted with a non-re-wireable plug. If it is necessary to change the fuse in the plug, the fuse cover must be refitted. If the fuse cover becomes lost or damaged, the plug must not be used until a suitable replacement is obtained.

If the plug has to be changed because it is not suitable for your socket or due to damage, it should be cut off and a replacement fitted, following the wiring instructions shown below. The old plug must be disposed of safely as insertion into a mains socket could cause an electrical hazard.

If the colours of the wires in the power cable of this product do not correspond with the markings on the terminals of your plug, proceed as follows.

- The **Blue** wire must be connected to the terminal marked **N** or coloured **Black**.
- The **Brown** wire must be connected to the terminal marked **L** or coloured **Red**.
- The **Yellow and Green** wire must be connected to the terminal marked **E** or  or coloured **Green**.

Plug must be BS1363/A approved.



Ensure that the outer sheath of the cable is firmly held by the clamp

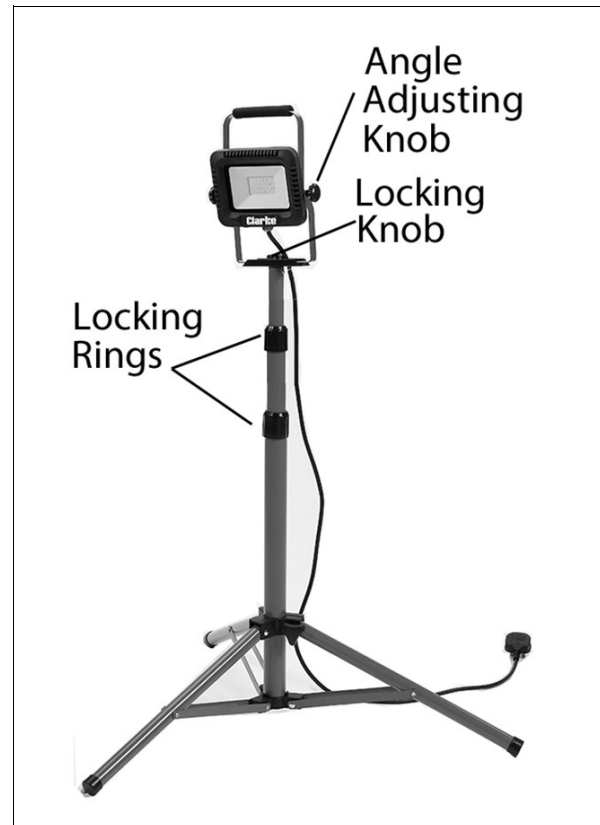
We strongly recommend that this machine is connected to the mains supply via a Residual Current Device (RCD)

If in any doubt, consult a qualified electrician. **DO NOT** attempt any repairs yourself.

MOUNTING ON THE TRIPOD

The tripod stand is supplied fully assembled.

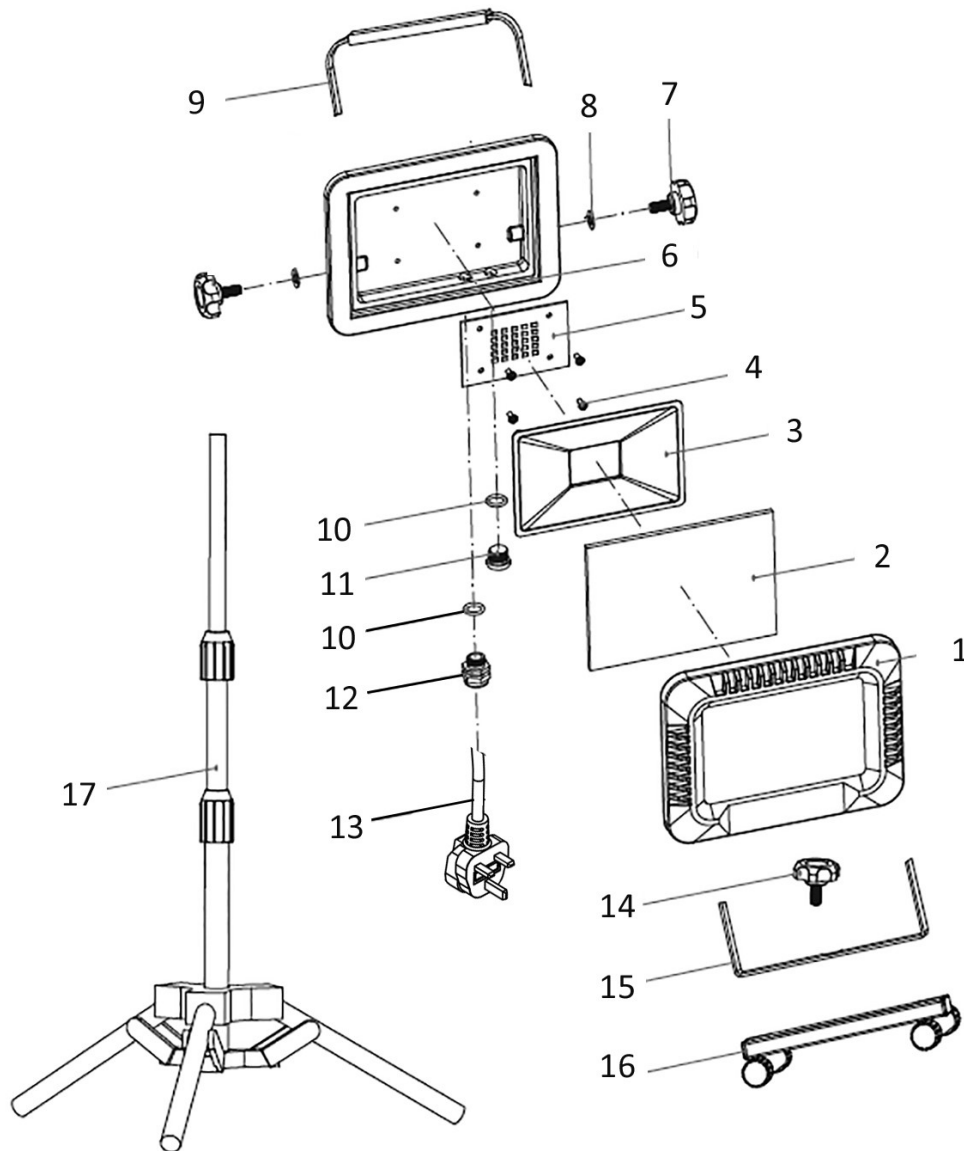
1. Pull the legs apart to erect the tripod and set in position.
2. Adjust the height of the tripod column by twisting the locking rings anti-clockwise to release and sliding the tubes to the required height before twisting clockwise to lock.
 - The worklamp can be swivelled if required by loosening the knob.
3. Attach the worklamp to the column by securing with the locking knob.
 - The worklamp can be swivelled if required by loosening the knob.
4. Tighten the angle adjusting knobs on either side of the lamp to set the angle of elevation as required.
5. Alternatively, set the lamp in position on a flat surface as a free standing unit.



CARE & STORAGE

1. When not in use, switch off & unplug from the power supply. Coil the cable for tidy storage.
2. Store this product in a secure, dry place, out of the reach of children. **DO NOT** leave it exposed to the elements and avoid direct sunlight, direct heat, rain/moisture etc.
3. Keep the external surfaces clean. Avoid impact damage & **DO NOT** allow this product to come into contact with abrasive or corrosive materials.
4. **DO NOT** use solvents, thinners or alcohol for cleaning, as these chemicals will damage the finish. With the lamp unplugged from the power supply, use a dry cloth to wipe over the lamp components.
5. The LED light source cannot be replaced but has a life expectancy of approximately 30000 hours.
6. **DO NOT** attempt to repair or modify this product or attempt any electrical repair yourself. Consult the Clarke Service Department.

COMPONENT PARTS



1	Face frame
2	4mm glass
3	Reflector
4	Screw M3 x 6
5	LED panel
6	Housing
7	Angle adjusting knob
8	Washer M6
9	Handle

10	O-ring
11	End cap
12	Cable gland
13	Cable with plug
14	Locking knob M6
15	Lower bracket
16	H-stand
17	Tripod stand

DECLARATIONS OF CONFORMITY



Fitzwilliam Hall, Fitzwilliam Place, Dublin 2

DECLARATION OF CONFORMITY

This is an important document and should be retained.

We hereby declare that this product(s) complies with the following legislation:

2009/125/EC	Ecodesign Directive
2014/30/EU	Electromagnetic Compatibility Directive
2014/35/EU	Low Voltage Directive
2011/65/EU	Restriction of Hazardous Substances (RoHS) Directive

The following standards have been applied to the product(s):

EN IEC 61000-3-2:2019+A1:2021, EN 61000-3-3:2013+A1:2019, EN 62321-2:2014, EN 61547:2009,
EN IEC 60598-1:2021, EN 60598-2-5:2015, EN 62321-3-1:2014, EN 62321-8:2017, EN 62493:2015,
EN IEC 55015:2019+A11:2020, EN 62321-6:2015

The technical documentation required to demonstrate that the product(s) meet(s) the requirement(s) of the aforementioned legislation has been compiled and is available for inspection by the relevant enforcement authorities.

The CE mark was first applied in: 2024

Product Description:	LED Light
Model Number(s):	SMDT2700
Serial/Batch Number:	Refer to product/packaging label
Date of Issue:	08/10/2024

Signed:

J.A. Clarke
Director



Hemnal Street, Epping, Essex, CM16 4LG

DECLARATION OF CONFORMITY

This is an important document and should be retained.

We hereby declare that this product(s) complies with the following legislation:

The Ecodesign for Energy-Related Products Regulations 2010
The Electromagnetic Compatibility Regulations 2016
The Electrical Equipment (Safety) Regulations 2016
The Restriction of the Use of Certain Hazardous Substances in Electrical and Electronic Equipment Regulations 2012

The following standards have been applied to the product(s):

EN IEC 61000-3-2:2019+A1:2021, EN 61000-3-3:2013+A1:2019, EN 62321-2:2014, EN 61547:2009,
EN IEC 60598-1:2021, EN 60598-2-5:2015, EN 62321-3-1:2014, EN 62321-8:2017, EN 62493:2015,
EN IEC 55015:2019+A11:2020, EN 62321-6:2015

The technical documentation required to demonstrate that the product(s) meet(s) the requirement(s) of the aforementioned legislation has been compiled and is available for inspection by the relevant enforcement authorities.

The UKCA mark was first applied in: 2024

Product Description:	LED Light
Model Number(s):	SMDT2700
Serial/Batch Number:	Refer to product/packaging label
Date of Issue:	08/10/2024

Signed:

J.A. Clarke
Director

A SELECTION FROM THE VAST RANGE OF

Clarke®

QUALITY PRODUCTS



AIR COMPRESSORS

From DIY to industrial, Plus air tools, spray guns and accessories.

GENERATORS

Prime duty or emergency standby for business, home and leisure.

POWER WASHERS

Hot and cold, electric and engine driven - we have what you need

WELDERS

Mig, Arc, Tig and Spot. From DIY to auto/industrial.

METALWORKING

Drills, grinders and saws for DIY and professional use.

WOODWORKING

Saws, sanders, lathes, mortisers and dust extraction.

HYDRAULICS

Cranes, body repair kits, transmission jacks for all types of workshop use.

WATER PUMPS

Submersible, electric and engine driven for DIY, agriculture and industry.

POWERTOOLS

Angle grinders, cordless drill sets, saws and sanders.

STARTERS/CHARGERS

All sizes for car and commercial use.

PARTS & SERVICE: 0208 988 7400

Parts Enquiries
Parts@clarkeinternational.com

Servicing & Technical Enquiries
Service@clarkeinternational.com

SALES: UK 01992 565333 or Export 00 44 (0)1992 565335

Clarke INTERNATIONAL Hemnall Street, Epping, Essex CM16 4LG
www.clarkeinternational.com